

Technical data sheet



Product features

Tilting bratt pan manual gas 50 l steel compound bottom

Model	SAP Code	00110048
--------------	-----------------	----------



- Bottom material: Steel - suitable for frying
- Bottom thickness: 12.00
- Basin volume [l]: 50
- Usable volume [l]: 50
- Ignition: Piezo
- Tilting: Manual
- Filling: Mechanical cock
- Type of pan: Tilting
- Basin shape: Practically shaped bathtub spout to minimize spillage
- Protection of controls: IPX4

SAP Code	00110048	Power gas [kW]	12.000
Net Width [mm]	800	Type of gas	Natural gas, propane butane
Net Depth [mm]	700	Bottom material	Steel - suitable for frying
Net Height [mm]	900	Basin volume [l]	50
Net Weight [kg]	138.00	Usable volume [l]	50
Power electric [kW]	0.000	Tilting	Manual

Technical data sheet



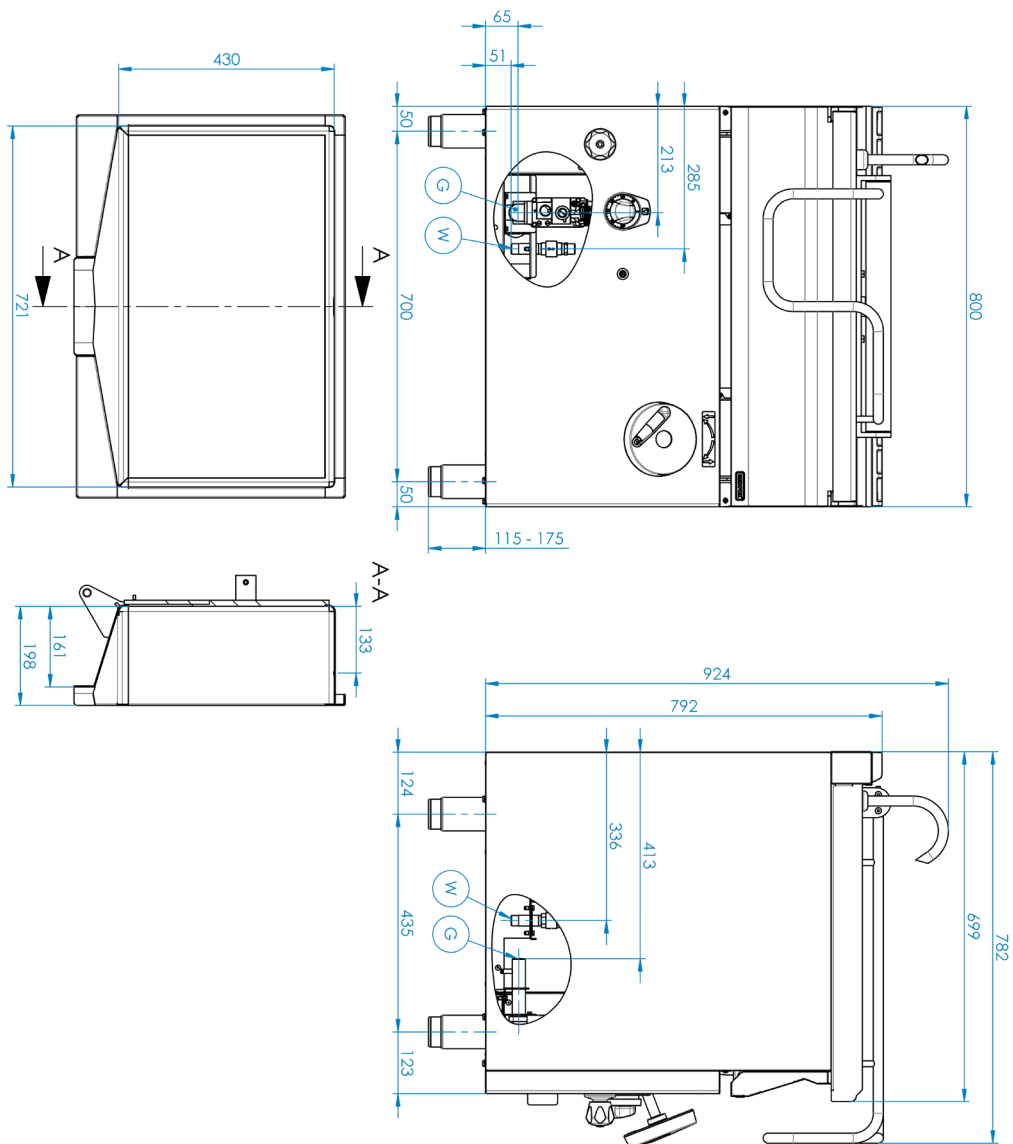
Technical drawing

Tilting bratt pan manual gas 50 l steel compound bottom

Model

SAP Code

00110048



Tilting bratt pan manual gas 50 l steel compound bottom

Model

SAP Code

00110048

1

Safety element – thermocouple

safe service for staff
there is no unnecessary gas leakage
long life

- savings on service interventions
- easier and faster operation

2

Manual folding system

maintenance-free system
resistance to splash water
long life

- savings on service interventions
- easy cleaning and maintenance of equipment

3

Degree of protection of the control elements IPX4

maintenance-free system
resistance to splash water
long life

- savings on service interventions
- easy cleaning and maintenance of equipment

4

Efficient distribution of heating elements

perfect heat distribution including corners
fast heating

- saving time when cooking
- saving energy
- long service life

Technical data sheet



Technical parameters

Tilting bratt pan manual gas 50 l steel compound bottom

Model	SAP Code	00110048
--------------	-----------------	----------

1. SAP Code:

00110048

2. Net Width [mm]:

800

3. Net Depth [mm]:

700

4. Net Height [mm]:

900

5. Net Weight [kg]:

138.00

6. Gross Width [mm]:

860

7. Gross depth [mm]:

820

8. Gross Height [mm]:

1079

9. Gross Weight [kg]:

151.40

10. Device type:

Gas unit

11. Power electric [kW]:

0.000

12. Power gas [kW]:

12.000

13. Ignition:

Piezo

14. Type of gas:

Natural gas, propane butane

15. Protection of controls:

IPX4

16. Material:

AISI 304 top plate, AISI 430 cladding

17. Basin volume [l]:

50

18. Maximum device temperature [°C]:

300

19. Minimum device temperature [°C]:

50

20. Safety thermostat:

Yes

21. Safety thermostat up to x ° C:

360

22. Adjustable feet:

Yes

23. Tilting:

Manual

24. Bottom thickness:

12.00

25. Bottom material:

Steel - suitable for frying

26. Type of pan:

Tilting

27. Usable volume [l]:

50

28. Filling:

Mechanical cock

Technical data sheet



Technical parameters

Tilting bratt pan manual gas 50 l steel compound bottom

Model

SAP Code

00110048

29. Basin shape:

Practically shaped bathtub spout to minimize spillage

30. Water filling type:

Cold